



Low PIM Attenuators, FZE series

Fixed Coaxial Attenuators for Wireless Applications
694 - 2700 MHz, N, 7-16 and 4.3-10
Rev. A

- ◆ 80W - 133W Average Power
- ◆ Low PIM
- ◆ Conventional end to end input-output configuration
- ◆ Standard Values 3, 6, 10, 15, 20 & 30 dB
- ◆ High Reliability
- ◆ RoHS Compliant
- ◆ Multiple Connector Options
N, 7-16 and 4.3-10
- ◆ Delivery from stock

Microlab FZE series of fixed Coaxial Attenuators is designed for high power wireless applications where low, guaranteed PIM performance is required. Standard models, except 3 dB, are unidirectional with a conventional male input feeding to a female output on the opposite face of the attenuators with no through DC path.

The 3 dB Attenuator has all female connectors, and also provides DC continuity by selecting input B, while selecting input A, the path is DC isolated. The unused port must be terminated with the supplied 2W termination. Other connector configurations are available to special order.

The design is exceptionally rugged, and negligibly affected by changes in ambient temperature.

Frequency Range: 694 - 2700 MHz
 Impedance: 50Ω nominal
 PIM (Intermod): -155 dBc
 2x tones of +43dBm
 Peak Power: 3 kW
 Environment: -35° to +75°C*
 Finish: RoHS Compliant
 Body: Black Paint
 Connectors: Triplate
 Brackets: Supplied
 2W Termination: Supplied with 3dB model
 Weight, Body Style:
 A: 6.6 lbs (3.0 kg) nom
 B: 7.2 lbs (3.5 kg) nom
 *Derate max power by -1.2%/°C above 55°C

Atten. Value	Model/Connector						Attenuation Accuracy	VSWR In/Out	Power Rating	Body Style
	N		7/16 DIN		4.3-10					
	(m-f)	(f-f)	(m-f)	<(f-f)	(m-f)	(f-f)				
3 dB	-	FZE-03FN	-	FZE-03FD	-	FZE-03FE	3 ± 0.5 dB	<1.20:1	80W	A
6 dB	FZE-06N	FZE-06FN*	FZE-06D	FZE-06FD*	FZE-06E	-	6.2 ± 1 dB	<1.25:1	133W	B
10 dB	FZE-10N	FZE-10FN*	FZE-10D	FZE-10FD*	FZE-10E	-	10 ± 1 dB	<1.25:1	110W	B
15 dB	FZE-15N	FZE-15FN*	FZE-15D	FZE-15FD*	FZE-15E	-	15 ± 1 dB	<1.25:1	100W	B
20 dB	FZE-20N	FZE-20FN*	FZE-20D	FZE-20FD*	FZE-20E	-	20 ± 1 dB	<1.25:1	100W	B
30 dB	FZE-30N	FZE-30FN*	FZE-30D	FZE-30FD*	FZE-30E	-	30 ± 1.3 dB	<1.25:1	100W	B

*Manufactured to order

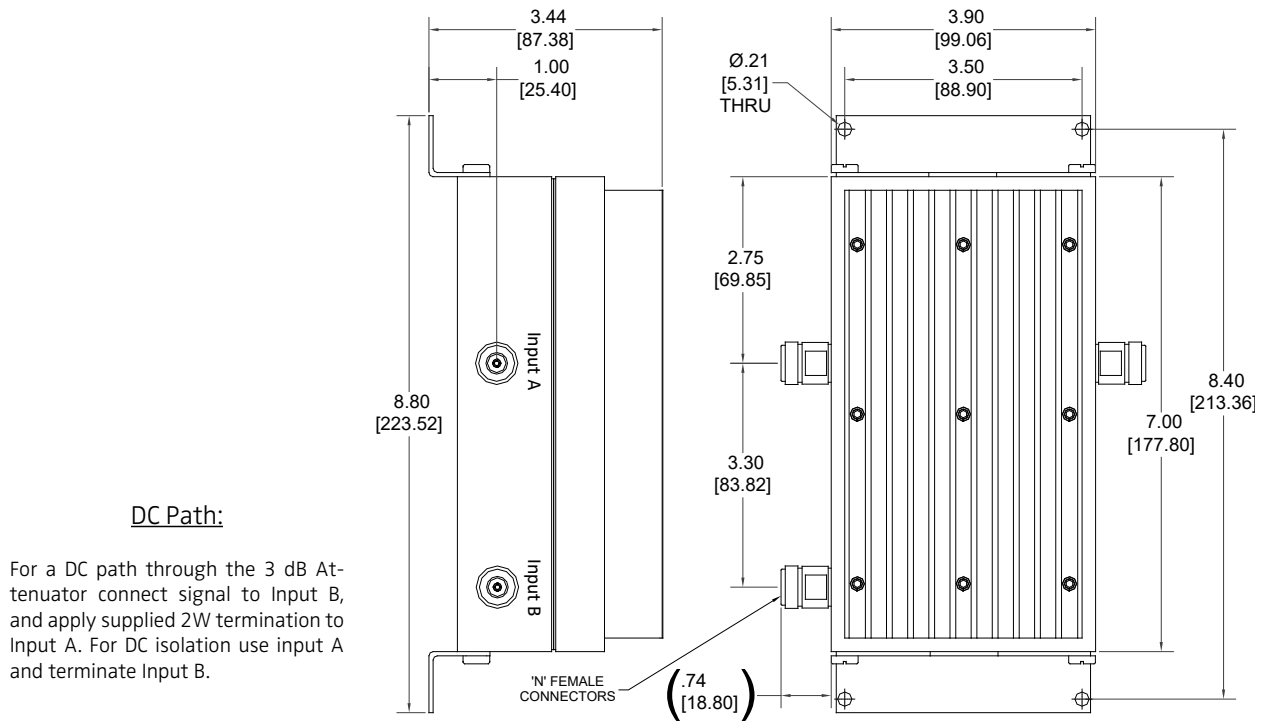
Note: Specifications are subject to change without prior notification.

31MAY2018

Microlab, A Wireless Telecom Group Company, 25 Eastmans Road, Parsippany, NJ 07054

Tel: (973) 386-9696 • sales@microlabtech.com • www.microlabtech.com • Fax: (973) 386-9191

Outline A, (3 dB Attenuator, FZE-03FN)



DC Path:

For a DC path through the 3 dB Attenuator connect signal to Input B, and apply supplied 2W termination to Input A. For DC isolation use input A and terminate Input B.

Outline B, shown for 7-16 DIN

