

50Ω -30 dBm to +20 dBm, 1 MHz to 6000 MHz

**The Big Deal**

- Automatically synchronized power & frequency measurements
- **USB and Ethernet** control
- Includes GUI with measurement applications software, simplifying complex measurements
- Measurement speed 30ms



CASE STYLE: JL2029 Installation CD



**Product Overview**

Mini-Circuits' FCPM-6000RC Integrated Frequency Counter & Power Meter is a pocket-sized (5.00 x 2.66 x 1.36") precision test device controlled via USB or Ethernet (HTTP and Telnet protocols) or operated as standalone test instrument. It simplifies test setups by enabling synchronized frequency and power measurements from a single device. The unit features an LCD display allowing convenient readings directly off the measurement head, while our user-friendly GUI software enables easy remote test management via USB or Ethernet. It comes supplied with Mini-Circuits' GUI software, DLLs for programmers, user guide, programming instructions, and all the accessories needed for immediate use right out of the box (see page 8 for a complete list of included accessories).

**Key Features**

Feature	Advantages
Ethernet-TCP/IP- <b>HTTP</b> and <b>Telnet</b> Protocols (Supports DHCP and Static IP)	The FCPM-6000RC integrated freq. counter & power meter can be controlled from any Windows®, or Linux® computer, or even a mobile device with a network connection and Ethernet-TCP/IP (HTTP or Telnet protocols) support. Using a VPN would allow remote control from anywhere in the world.
USB control	User may also control the integrated freq. counter & power meter via USB connection. Plug-and-Play, no driver required. Compatible with Windows® or Linux® operating systems using 32 and 64 bit architecture (up to 24 sensors simultaneously).
GUI program with USB and Ethernet interfaces	Allows quick and easy measurement, average measurements, data recording, and more.
'Measurement Application' GUI software built-in	Automated measurement setups which allow the user to perform measurements on RF components such as Couplers, Filters, Amplifiers, etc., display numerical data and graphs, and analyze the data.
LCD character display	LCD character display providing the frequency and power readings, as well as information on the unit's status.
Operates with external or internal reference	The FCPM-6000RC can operate either synchronized with an external 10 MHz reference signal or independently, using its internal reference depending on user preference.
No calibration required before taking measurement	The FCPM-6000RC does not require any reference signal for calibration, reducing test time and simplifying operation.
5V power supply	Powered via USB plug from PC, supplied AC adapter or from commercially available Power Over Ethernet (PoE) splitter with 5V output.

**Trademarks:** Windows is a registered trademark of Microsoft Corporation in the United States and other countries. Linux is a registered trademark of Linus Torvalds. Mac is a registered trademark of Apple Corporation. Pentium is a registered trademark of Intel Corporation. Neither Mini-Circuits nor the Mini-Circuits FCPM-6000RC are affiliated with or endorsed by the owners of the above referenced trademarks

Mini-Circuits and the Mini-Circuits logo are registered trademarks of Scientific Components Corporation.



50Ω 1 MHz to 6000 MHz

**Product Features**

- USB and Ethernet control
- Supports HTTP and Telnet network protocols
- Wide bandwidth, 1 to 6000 MHz
- Uses external or internal reference
- LCD character display
- 50 dB Dynamic Range, -30 to +20 dBm
- Good VSWR, 1.1:1 typ.
- Fast measurement speed, 30 ms (power), 100 ms (freq).
- Automatic frequency calibration & temperature compensation
- Multi-sensor capability (up to 24)
- Built in 'Application Measurement' software
- User-friendly Windows® Graphical User Interface
- Supports a wide range of programming environments (See application note [AN-49-001](#) for details)



CASE STYLE: JL2029 Installation CD

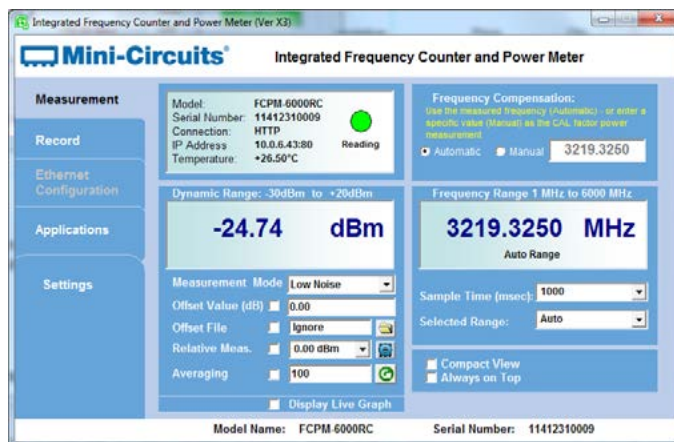
**Typical Applications**

- Production testing systems
- Field testing
- Remote location monitoring
- Automatic, scheduled data collection
- Evaluate high-power, multi-port devices with built-in virtual couplers/attenuators & other software tools

Model No.	Description	Price	Qty.
<b>FCPM-6000RC</b>	<b>Integrated Freq. Counter &amp; Power Meter</b>	\$1495.00 ea.	(1-4)
<b>Included Accessories</b>			
USB-AC/DC-5	AC/DC 5V Adapter		1
USB-RJ45-CBL-7+	6.6 ft "Y" data cable (USB & RJ45)		1
FCPM-CD	Installation CD		1

**RoHS Compliant**  
See our web site for RoHS Compliance methodologies and qualifications

**Mini-Circuits Program for Integrated Frequency Counter & Power Meters**



For programming instructions, see [programming manual](#) on Mini-Circuits' website.  
For installation instruction and overview of FCPM-6000RC functions, see [user guide](#) on Mini-Circuits' website.

## Electrical Specifications (CW)<sup>1</sup>, -30 dBm to +20 dBm, 1 to 6000 MHz

Parameter		Freq. Range (MHz)	Min.	Typ.	Max.	Units
Dynamic range <sup>2,3</sup>	@ 25°C	1 - 5700	-30	-	+20	dBm
		5700 - 6000	-28	-	+20	
	@ 0°C to 50°C	1 - 6000	-27	-	+20	
VSWR		1 - 6000	-	1.05	1.25	:1
Uncertainty of Power Measurement @ 25°C	@ -30 to +5 dBm <sup>4,5</sup>	1 - 3000	-	± 0.10	± 0.30	dB
		3000 - 6000	-	± 0.15	± 0.30	dB
	@ +5 to +15 dBm	1 - 3000	-	± 0.15	± 0.30	dB
		3000 - 6000	-	± 0.15	± 0.30	dB
	@ +15 to +20 dBm	1 - 3000	-	± 0.20	± 0.40	dB
		3000 - 6000	-	± 0.20	± 0.40	dB
Uncertainty of Power Measurement @ 0°C to 50°C	@ -30 to +5 dBm <sup>4,5</sup>	1 - 3000	-	± 0.25	-	dB
		3000 - 6000	-	± 0.25	-	dB
	@ +5 to +15 dBm	1 - 3000	-	± 0.20	-	dB
		3000 - 6000	-	± 0.20	-	dB
	@ +15 to +20 dBm	1 - 3000	-	± 0.35	-	dB
		3000 - 6000	-	± 0.30	-	dB
Power Linearity @ 25°C		1 - 6000	-	± 3.0	-	%
Power Resolution		1 - 6000	0.01	-	-	dB
Frequency Resolution		1 - 40 MHz	-	1	-	Hz
		40-190 MHz	-	10	-	
		190-6000 MHz	-	100	-	
Frequency Uncertainty (@1 sec measurement sample time) <sup>6</sup>		1 - 40 MHz	-	±2	-	Hz
		40-190 MHz	-	±20	-	
		190-1400 MHz	-	±200	-	
		1400 - 6000 MHz	-	±800	-	
Averaging Range		1 - 6000	1	-	999	-
Frequency Aging	Using int. Reference	-	-	-	±1.0	ppm/year
Measurement Speed (for power meas.)	@ Low Noise Mode	1 - 6000	-	100	-	msec
	@ Faster Mode		-	30	-	
Sample time (for frequency meas.) <sup>7</sup>		-	100	1000	3000	msec
Input Impedance		-	-	50	-	Ω
Reference In Frequency		-	-	10	-	MHz
Reference In Impedance		-	-	50	-	Ω
Reference In Power		-	-5	-	+10	dBm
Supply Voltage	via USB port	1 - 6000	4.5	5	5.5	V
Current (via USB port, in USB control)		1 - 6000	-	370	500	mA
Current (via USB port, in Ethernet control)		1 - 6000	-	380	500	mA
Ethernet communication		Supports both Telnet and HTTP protocols over TCP/IP with dynamic(DHCP) or static IP				

<sup>1</sup> All specifications apply to continuous wave (CW) signals.

<sup>2</sup> Maximum continuous safe operational power limit: +23 dBm. Performance is guaranteed up to +20 dBm.

<sup>3</sup> The FCPM-6000RC can operate down to -32 dBm, however performance is guaranteed only in the range specified in the table.

<sup>4</sup> When using Faster mode at high frequencies below -20dBm, use of averaging is recommended to prevent noise errors.

<sup>5</sup> When using Faster mode power reading below -20dBm, uncertainty value may increase by up to 0.2 dB relative to Low noise mode power reading.

<sup>6</sup> Accuracy shown using external 10 MHz reference synchronized to test signal. Using Internal Reference adds 2 ppm of tested frequency to the accuracy values shown.

<sup>7</sup> Software function set by user, default option 1000 mec.

## Minimum System Requirements

Parameter	Requirements
Interface	USB HID or HTTP Get/Post or Telnet protocols
Host operating system - USB control	<b>Windows 32/64 Bit operating system:</b> Windows 98®, Windows XP®, Windows Vista®, Windows 7®, Windows 8® <b>Linux ® support:</b> 32/64 Bit operating system
Host operating system - Ethernet control	Any Windows®, Mac®, or Linux® computer with a network port and Ethernet-TCP/IP (HTTP or Telnet protocols) support
Hardware	Pentium® II or better , RAM 256 MB
Y control cable for USB and Ethernet (supplied)	Model to be used with the supplied control cable only

## Absolute Maximum Ratings

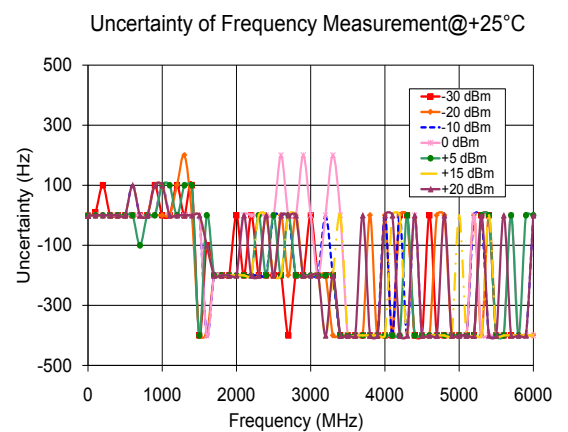
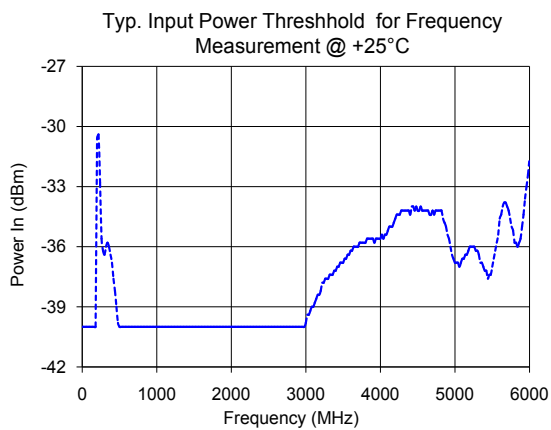
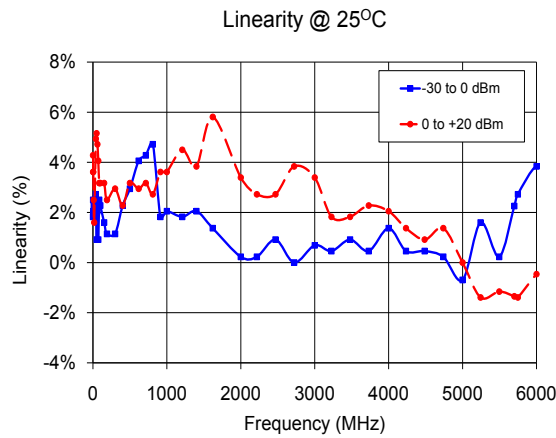
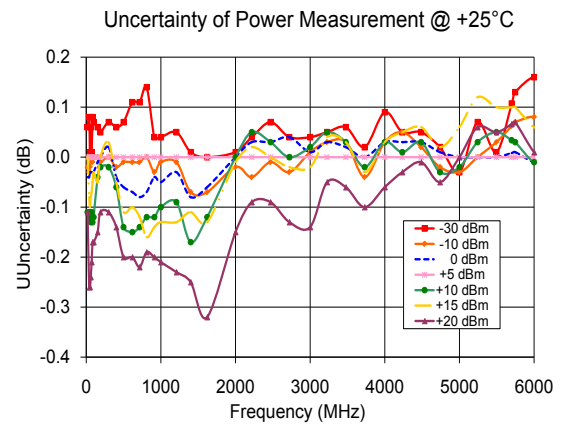
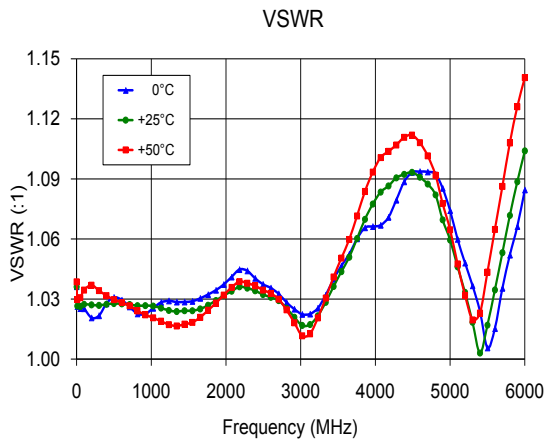
Parameter	Ratings
Operating Temperature	0°C to 50°C
Storage Temperature	-30°C to 70°C
V <sub>USB</sub> Max.	6 V
DC Voltage @ RF port	15 V
RF Power(CW) @ RF port	+25 dBm
DC Voltage @ Reference Input	25 V
RF Power(CW) @ Reference Input	+13 dBm

Permanent damage may occur if any of these limits are exceeded. Operating in the range between operating power limits and absolute maximum ratings for extended periods of time may result in reduced life and reliability.

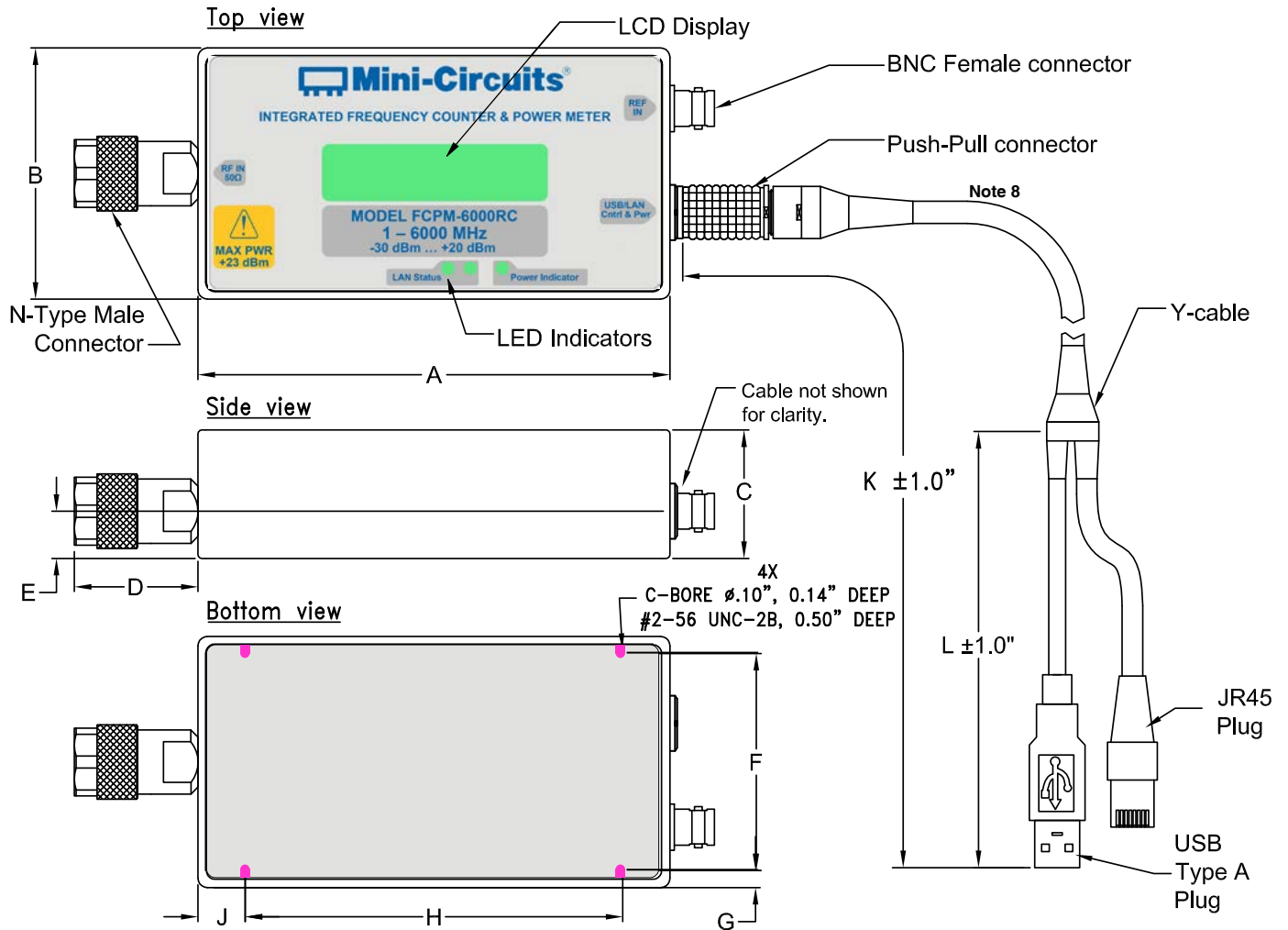
## Connections

Reference Input	(BNC-Female)
Signal Input	(N-Typ-Male)
Power & Control	(Push-Pull connector)

## Typical Performance Curves



## Outline Drawing (JL2029)



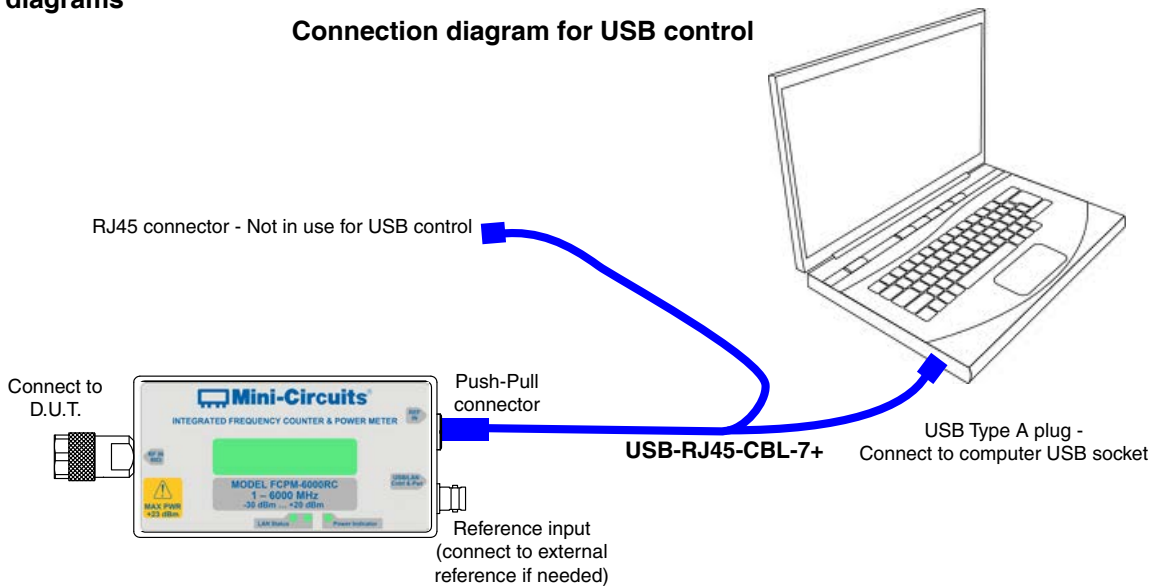
### Outline Dimensions (inch / mm)

A	B	C	D	E	F	G	H	J	K	L	WT. GRAMS
5.00 (127.0)	2.66 (67.6)	1.36 (34.5)	1.31 (33.3)	0.50 (12.7)	2.300 (58.42)	0.18 (4.6)	4.000 (101.60)	0.50 (12.7)	81 (2057)	20 (508)	500

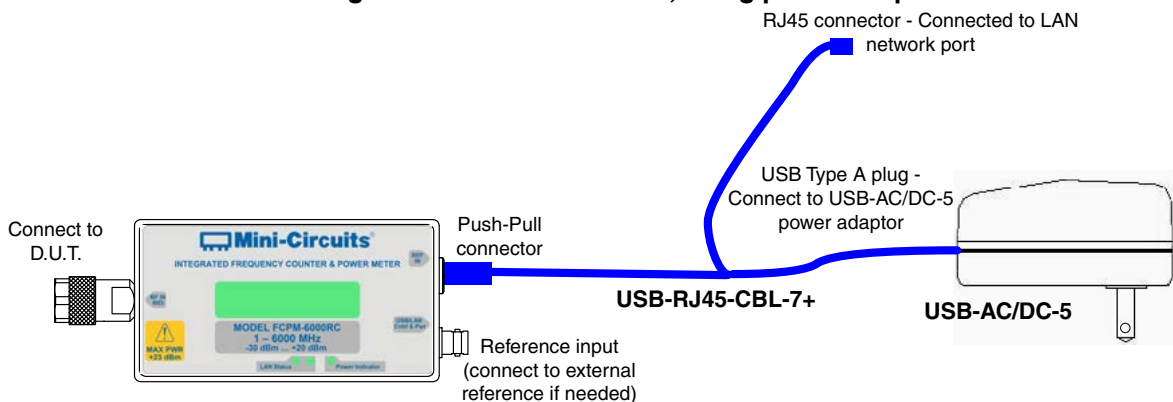
<sup>8</sup> FCPM-6000RC to be used with the supplied USB cable only.

## Connection diagrams

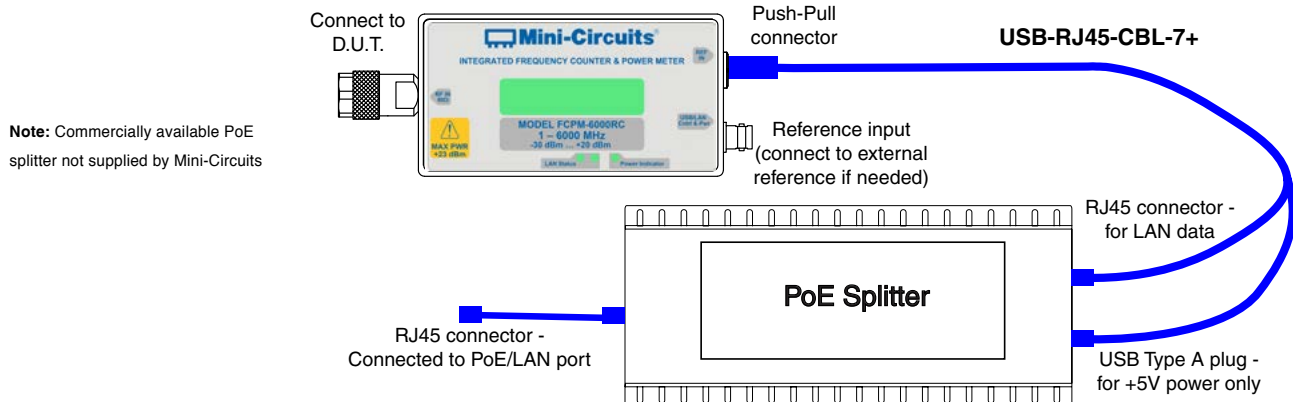
### Connection diagram for USB control



### Connection diagram for Ethernet control, using power adaptor



### Connection diagram for Ethernet control, using PoE system



**Note:** Commercially available PoE splitter not supplied by Mini-Circuits

## Ordering Information

Model	Description
FCPM-6000RC	Integrated Frequency Counter & Power Meter

Included Accessories	Part No.	Description
	USB-AC/DC-5	AC/DC Power Adapter with US, EU, IL, UK, AUS, and China two pin power plugs <sup>9</sup> . Operating temperature: 0°C to +45°C, AC Input: 100-240V, 47-63 Hz, DC Output 5±0.25 V, I <sub>Max</sub> =1A
	FCPM-CD	Software CD
	USB-RJ45-CBL-7+ <sup>10</sup>	6.6 ft (2 m) "Y" data cable with USB Type-A and RJ45 plug connectors

<sup>9</sup> Power plugs for other countries are also available, if you need a power plug for a country not listed in the table please contact [apps@minicircuits.com](mailto:apps@minicircuits.com) or check <http://www.minicircuits.com/contact/offices.html> for regional offices e-mail and phone numbers.

<sup>10</sup> FCPM-6000RC to be used with the supplied control cable only.

Optional Accessories	Description
USB-AC/DC-5 (spare)	AC/DC 5V <sub>DC</sub> Power Adapter with US, EU, IL, UK, AUS, and China power plugs
USB-RJ45-CBL-7+ (spare)	6.6 ft (2 m) "Y" data cable with USB Type-A and RJ45 plug connectors
NF-SM50+	N-Type Female to SMA Male Adapter (For mating with SMA devices).

Calibration	Description
CAL-FCPM-6000RC	Calibration Service <a href="#">Click Here</a>

## Additional Notes

- Performance and quality attributes and conditions not expressly stated in this specification document are intended to be excluded and do not form a part of this specification document.
- Electrical specifications and performance data contained in this specification document are based on Mini-Circuit's applicable established test performance criteria and measurement instructions.
- The parts covered by this specification document are subject to Mini-Circuits standard limited warranty and terms and conditions (collectively, "Standard Terms"); Purchasers of this part are entitled to the rights and benefits contained therein. For a full statement of the Standard Terms and the exclusive rights and remedies thereunder, please visit Mini-Circuits' website at [www.minicircuits.com/MCLStore/terms.jsp](http://www.minicircuits.com/MCLStore/terms.jsp)